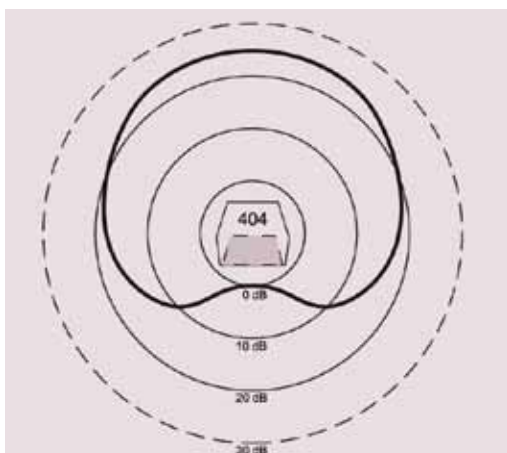


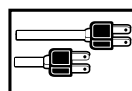


Features

- optimal sound insulation - up to 25 dB (A) - due to special design and inner noise dampening lining
- for improving audibility of telephone calls in noisy environments
- optimal sound insulation when positioning telephone hood with backside towards source of sound
- metal and synthetic models in several colours
- weatherproof design
- optional lower console available

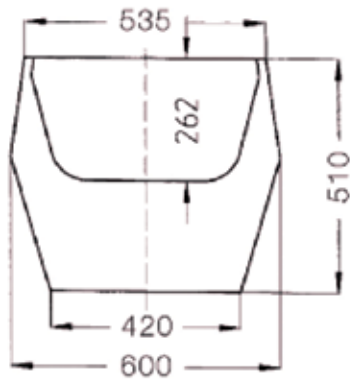


Directional diagram of noise reduction

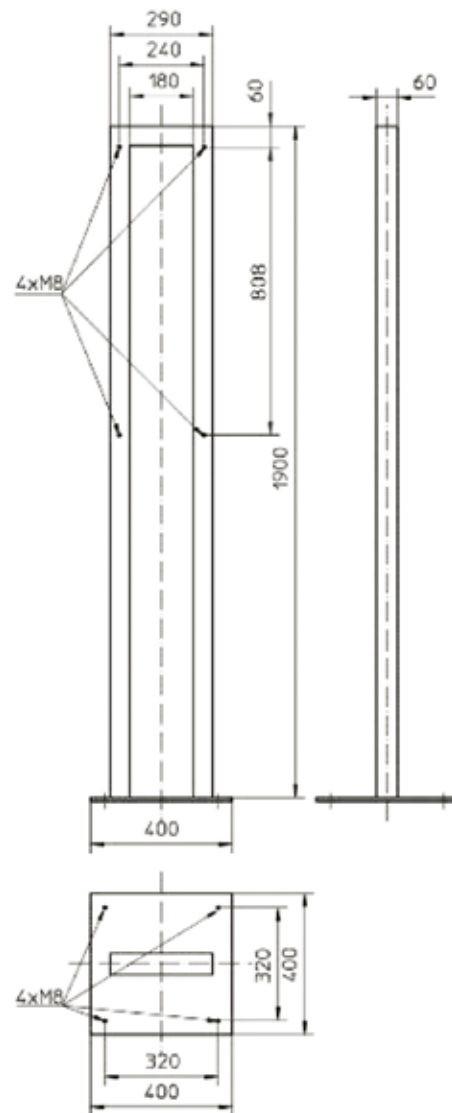


Technical data

General data	TH1
Housing, colour	optional 1) hot galvanized sheet steel ST37-2 (powder coated) yellow RAL 1023, red RAL 3020 2) stainless steel 1.4571, inside 1.4301 3) glass fibre reinforced plastic (GRP) yellow ~RAL 1023, orange ~RAL 2000 4) synthetic material dyed (rough PVC, UV- and weatherproof) yellow ~RAL 1023, orange ~RAL 2000, red ~RAL 3020 5) lower console (sheet steel powder coated) yellow RAL 1023
Noise reduction	up to ~25 dB (A) in 1 m
Insulation material	Rockwool RAF-SE



Dimensions are approximate



Order data

Type	Order No.	Denomination	Weight
		Telephone protection hoods - GRP	
TH1	410 100 008	Telephone protection hood yellow ~RAL 1023	~ 40 kg
	410 100 007	Telephone protection hood orange ~RAL 2000	~ 40 kg
		Telephone protection hoods - synthetic (PVC)	
TH1	410 100 012	Telephone protection hood yellow ~RAL 1023	~ 30 kg
	410 100 013	Telephone protection hood orange ~RAL 2000	~ 30 kg
	410 100 014	Telephone protection hood red ~RAL 3020	~ 30 kg
		Telephone protection hoods - metal	
TH1	410 100 006	Telephone protection hood type yellow RAL 1023	~ 35 kg
	410 100 009	Telephone protection hood type red RAL 3020	~ 35 kg
	410 100 010	Telephone protection hood type stainless steel	~ 40 kg
TH1C	410 100 011	Console, sheet steel, fits all hood types, yellow RAL 1023	~ 17 kg